



PT-200

1% Industrial Pressure Transmitter



The PT-200 1% Industrial Pressure Transmitters are rugged, general purpose sensors that offer reliable and accurate measurements under harsh conditions. The sensor fitting is machined from a solid piece of 17-4PH SS to provide stable operation when subjected to shock and vibration. PT-200s also incorporate digital compensation and temperature correction for high accuracy and stability.

Features

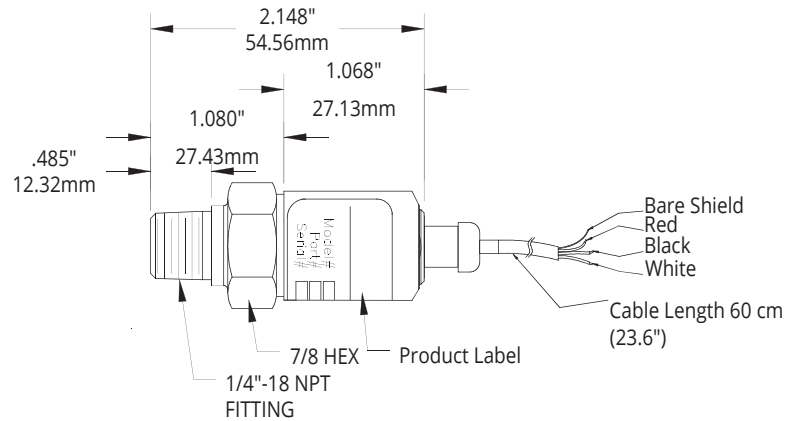
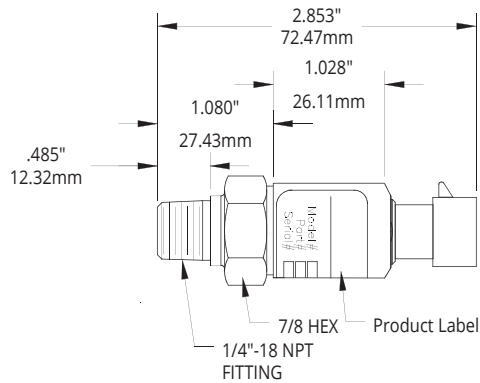
- Cost effective
- High overpressure capability
- Single piece stainless steel process fitting and sensor

P&R INSTRUMENT SUPPLY, INC.
2668 WOOD HOLLOW DR.
ATLANTA, GA 30360

tollfree: 800-622-9555
local: 770-391-9118

www.prinstrument.com
sales@prinstrument.com

PT-200 Specifications



Performance

- Accuracy
1% BSFL
- Stability - Thermal Shift
Zero: $\pm 0.01\%$ FSO/ $^{\circ}\text{C}$ ($\pm 0.02\%$ FSO/ $^{\circ}\text{F}$)
Span: $\pm 0.02\%$ FSO/ $^{\circ}\text{C}$ ($\pm 0.04\%$ FSO/ $^{\circ}\text{F}$)
- Stability - Long Term
 $< \pm 0.5\%$ FSO/year
- Overpressure: 2x full scale
- Burst pressure: 3.5x full scale

Environmental

- Operating Temp: -10° to 100°C (14° to 212°F)
- Compensated Temp: 0° to 85°C (32° to 185°F)
- Storage Temp: -20 to 125°C (-4 to 257°F)
- Enclosure Protection: IP65

Electrical

- Supply Voltage: 9 - 32 VDC
- Loop Resistance: $< 100 \Omega$
- Current Draw: $< 30 \text{ mA}$

Physical

- Wetted Materials: 17-4PH SS
- Process Connection: 1/4" - 18 Male NPT

Model Configuration Options

Model Number: PT-200 - - - -
 A B C D E

A. Output

L1 4-20 mA

B. Common Pressure Ranges

- 100** **500** **2500** **10000**
 250 **1000** **5000**

C. Unit of Measure

PSIG Gauge

D. Electrical Connection

- E5** Pigtail with 2 ft. (60 cm) of cable
 E51 Packard Connector

E. Process Connection

P0 1/4"-18 NPTM

Accessories

Please order separately, by part number.

Description	Part Number
3-pin Packard Connector with 3 ft. Cable	122991-0008
3-pin Packard Connector with 9 ft. Cable	122991-0009
3-pin Packard Connector with 18 ft. Cable	122991-0010