

PSI-TRONIX MODEL PG-5000

DIGITAL PRESSURE GAUGE

SPECIFICATIONS

PERFORMANCE

Standard Pressure Ranges: ----- Vacuum to 10,000 psig
 Overpressure: ----- 2x full scale
 Burst Pressure: ----- 10x full scale or 20,000 psig
 whichever is less
 Pressure Cavity Volume: ----- 0.07 cubic inches typical
 Accuracy (linearity, hysteresis
 & repeatability): ----- $\pm 0.25\%$ of full scale
 Compensated
 Temperature Range: ----- 20°F to 130°F
 Thermal Sensitivity Shift: ----- $\pm 0.02\%$ F.S./ °F
 Thermal Zero Shift: ----- $\pm 0.02\%$ F.S./ °F
 Resolution (Transducer): ----- Infinite
 (Display): ----- 1 part in 9,999
 Life: ----- 10 million cycles min

ELECTRICAL

Batteries: ----- Standard 9 Volt (1)
 user replaceable
 Display: ----- 4 digit LCD, 0.5" Digits
 Auto-Off: ----- 16 minutes

ENVIRONMENTAL

Storage Temperature: ----- -40°F to +160°F
 Operating Range: ----- 0°F to +160°F
 Compensated Range: ----- 20°F to +130°F

PHYSICAL

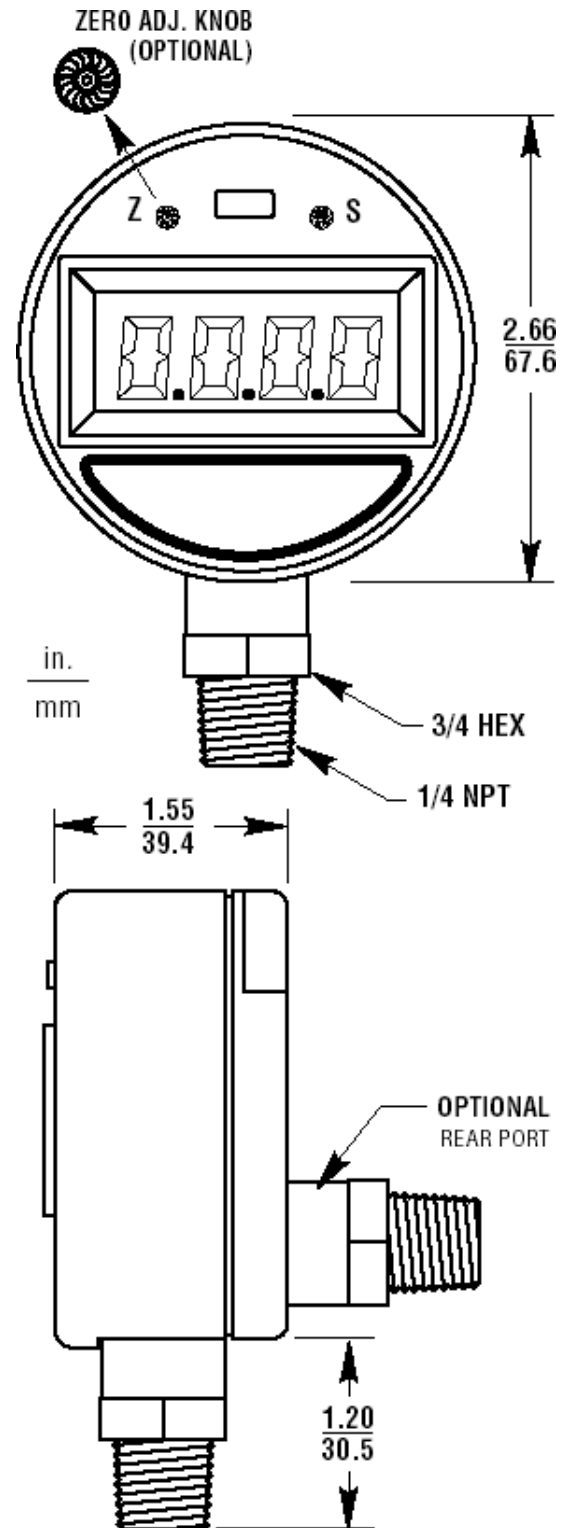
Construction Materials
 Case: ----- Injection Molded Case Material
 EMI-X PDX-W-88341
 Wetted Materials: ----- 15-5 Stainless Steel, 316L SS
 available at no extra charge

OPTIONS

- Metric units available at standard price.
- Rear-facing pressure connection
- Peak-Hold
- Analog Output (0-2 VDC Output)
- Zero Adjust Knob
- 4-20 mA Output (Loop Powered)
- 0-5 VDC Output (External Power)
- For other options consult P&R Instrument

ORDERING INFORMATION

PG-5000	--	5000	--	G	--	X	--	X	--	X	--	X	--	X
MODEL	PRESSURE	G=Gage	0=No Auto Off	0= No Knob	0=Bottom port	0=No peak hold	0=Battery Operated	1=0-2 VDC Output	2=4-20 mA (two wire)	3=0-5 VDC Output	4=External Power			
	Range (psi)	A=Absolute	4=16 minutes	1="Z" Knob	1=Rear port	1=peak hold								



P&R INSTRUMENT SUPPLY INC.

PHONE: 800-622-9555

www.prinstrument.com

FAX: 770-395-6346

sales@prinstrument.com