

PSI-TRONIX MODEL PG-2000

DIGITAL PRESSURE GAUGE

SPECIFICATIONS

PERFORMANCE

Standard Pressure Ranges: ----- 0 to 20, 100, 160, 200, 250, 500, 1000 or 2,000psi Gage
 Overpressure: ----- 2x full scale
 Burst Pressure: ----- 10x full scale or 20,000 psi
 Accuracy (linearity, hysteresis, & repeatability): ----- $\pm 0.25\%$ of FS
 Thermal Sensitivity Shift: ----- $>100\text{psi: } \pm 0.02\% \text{ F.S./}^\circ\text{F}$
 Thermal Zero Shift: ----- $>100\text{psi: } \pm 0.02\% \text{ F.S./}^\circ\text{F}$
 Resolution (Transducer): ----- Infinite
 (Display): ----- 1 part in 2000
 Life: ----- 10 Million cycles min.

ELECTRICAL

Batteries: ----- Standard 9 Volt (1)
 External Power: ----- 10-32 VDC
 Display: ----- 4 digit LCD, 0.5" digits

ENVIRONMENTAL

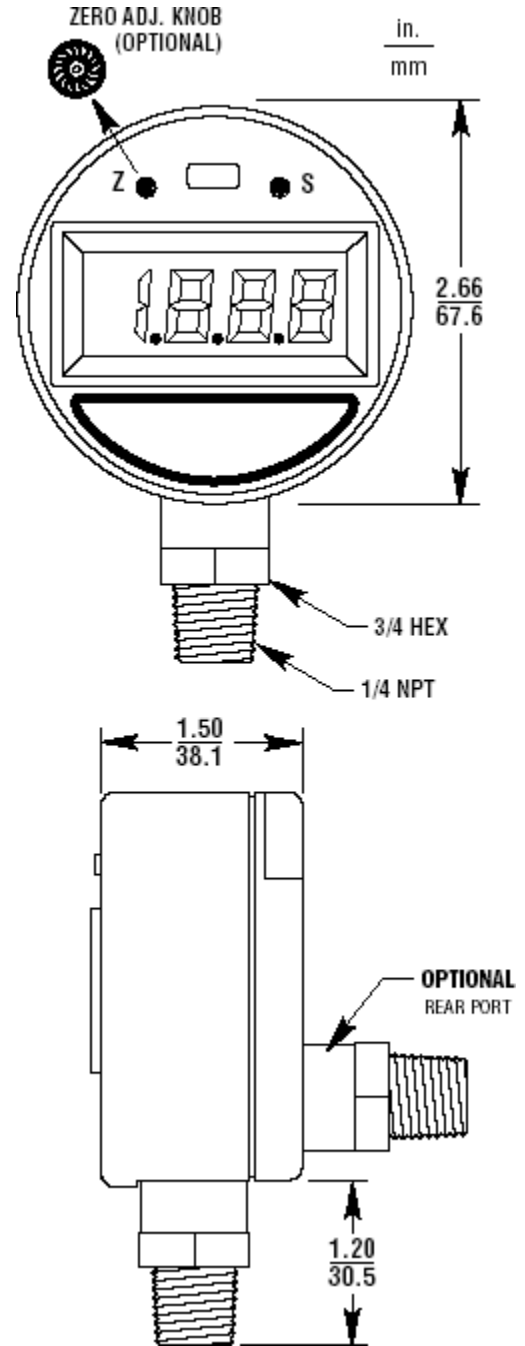
Storage Temperature: ----- -40°F to 160°F
 Operating Range: ----- 0°F to $+160^\circ\text{F}$
 Compensated Range: ----- 20°F to $+130^\circ\text{F}$

PHYSICAL

Construction Materials:
 Case: ----- Injection Molded Case Material: EMI-X PDX-W-88341
 Wetted Materials: ----- 15-5 Stainless Steel, 316L Stainless Steel available at no extra charge
 Pressure Cavity Volume: ----- 0.07 cubic inches typical

OPTIONS

- Auto Off
- Rear pressure port
- Zero Adjust Knob
- External Power



ORDERING INFORMATION

PG2000	--	2000	--	G	--	X	--	X	--	X	--	X
MODEL NO		PRESSURE		G=Gage		0=No Auto Off		0=No Knob		0=Bottom Port		0=Battery Power
		Range (psi)				4=16 Min.		1="Z" Knob		1=Rear Port		4=External Power

P&R INSTRUMENT SUPPLY, INC.

PHONE: 800-622-9555

FAX: 770-395-6346

www.prinstrument.com

sales@prinstrument.com